

1 ~ 50Hz 230V

16A

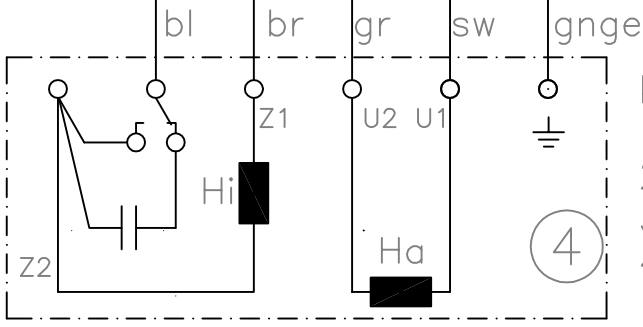
L
N
PE

1

2

3

4



- Komponentenliste:
- 1: Gehäuse K700
 - 2: KB-04 U_c:230V~
 - 3: Nockenschalter L-O-R
 - 4: Motor

| | | | | | | | |
|------|----------|-----|---------------------|------------|---------|-------------------------------|---------------------------|
| | | | | Tag | Name | Bezeichnung K700/L-O-R | |
| | | | Bearb. | 22.09.2008 | M.Orlik | | |
| | | | Gepr. | | | | |
| | | | KLINGER BORN | | | ZgNr. | G:\CAD-Elektro\e_00987080 |
| Ind. | Änderung | Tag | | | | Name | |